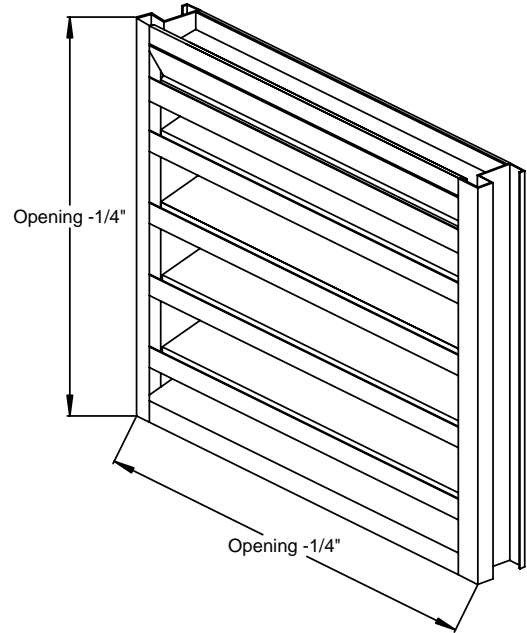
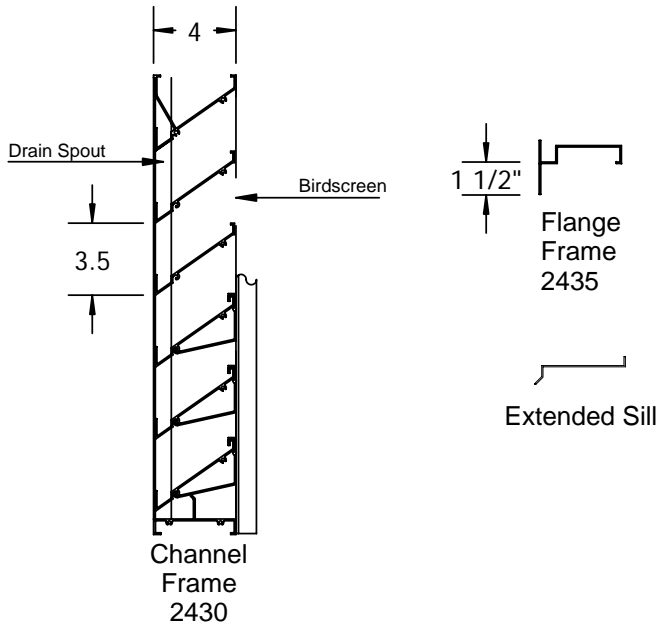




LOUVERS & DAMPERS

NEW 2430 HI PRO 4 INCH EXTRUDED ALUMINIUM DRAINABLE STATIONARY LOUVER



Quantity	Ref. #	Width (W)*	Height (H)*	Frame	Accessories
PROJECT NAME:				ENGINEER:	
CONTRACTOR:				SUBMITTAL DATE:	

STANDARD CONSTRUCTION

Depth: 4 Inches (100 mm)
Frame Style: Channel Frame (2430) or Flange Frame (2435)
Frame Thickness: 0.081" 6063-T5 Extruded Aluminium
Blade Thickness: 0.081" 6063-T5 Extruded Aluminium
Blade Centres: 3 1/2 Inches (89 mm)
Blade Angle: 35 Degrees
Minimum Height: 12 Inches (300 mm)
Maximum Panel Width: 120 Inches (3048 mm)
Maximum Panel Height: 120 Inches (3048 mm)
Standard Finish: Mill
Free Area of 48" x 48" Unit: 9.06 Sq.ft. Free Area
 0.815 Sq.m Free Area

Free Area Percentage: 56.6 Percent

AVAILABLE ACCESSORIES

Bird Screen: 1/2 x 1/2 Galvanized (Standard)
 1/2 x 1/2 Aluminium
Insect Screen: 18 x 14 Mesh
Finish: Mill Finish (Standard)
 Paint Color #: V
Anodized Finish: Clear
 Light Bronze
 Medium Bronze
 Dark Bronze
Accessories: Blank Off Panel
 Extended Sill
 Insulated Blank Off Panel 1" or 2"
 Hinged Frame
 Filter Rack

Continuous Line construction is NOT recommended.
 Dwg 2430 -1 Date: Aug 2005

* Louver will be manufactured 1/4" smaller than given opening dimensions, unless otherwise specified.



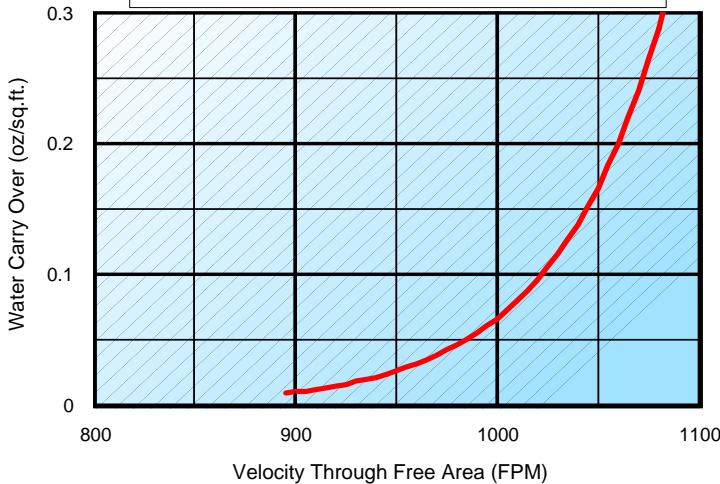
Hi-Pro 2000 Model 2430 and Model 2435

Free Area in Square Feet

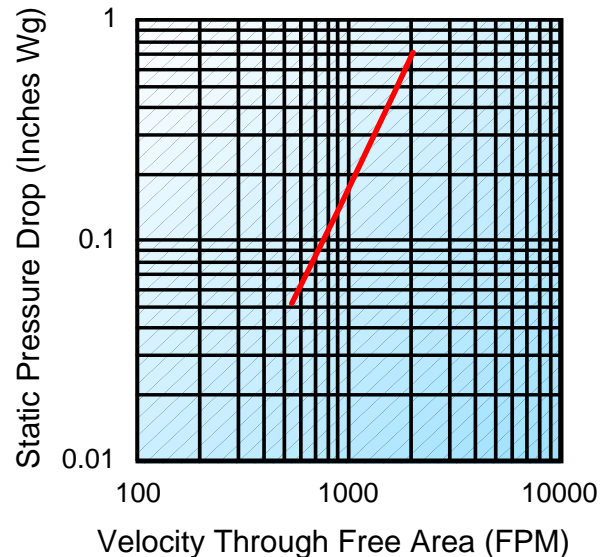
WIDTH IN INCHES

Inches	12	16	20	24	28	32	36	40	44	48	52	56	60	64	68	72
12	0.32	0.45	0.58	0.72	0.85	0.98	1.11	1.24	1.38	1.51	1.64	1.77	1.90	2.03	2.17	2.30
16	0.51	0.72	0.93	1.14	1.35	1.55	1.76	1.97	2.18	2.39	2.60	2.81	3.02	3.23	3.44	3.64
20	0.70	0.98	1.27	1.56	1.84	2.13	2.42	2.70	2.99	3.28	3.56	3.85	4.14	4.42	4.71	4.99
24	0.89	1.25	1.61	1.98	2.34	2.70	3.07	3.43	3.80	4.16	4.52	4.89	5.25	5.61	5.98	6.34
28	1.07	1.52	1.96	2.40	2.84	3.28	3.72	4.16	4.60	5.04	5.48	5.92	6.37	6.81	7.25	7.69
32	1.22	1.72	2.22	2.72	3.21	3.71	4.21	4.71	5.21	5.71	6.21	6.71	7.21	7.71	8.21	8.71
36	1.41	1.98	2.56	3.14	3.71	4.29	4.87	5.44	6.02	6.60	7.17	7.75	8.33	8.90	9.48	10.06
H 40	1.59	2.25	2.90	3.56	4.21	4.86	5.52	6.17	6.83	7.48	8.13	8.79	9.44	10.09	10.75	11.40
44	1.78	2.51	3.24	3.98	4.71	5.44	6.17	6.90	7.63	8.36	9.09	9.83	10.56	11.29	12.02	12.75
E 48	1.93	2.72	3.52	4.31	5.10	5.89	6.69	7.48	8.27	9.06	9.86	10.65	11.44	12.23	13.03	13.82
52	2.12	3.00	3.87	4.74	5.61	6.48	7.35	8.23	9.10	9.97	10.84	11.71	12.58	13.46	14.33	15.20
I 56	2.34	3.31	4.27	5.23	6.19	7.15	8.11	9.07	10.04	11.00	11.96	12.92	13.88	14.84	15.81	16.77
60	2.49	3.51	4.53	5.55	6.58	7.60	8.62	9.64	10.66	11.68	12.71	13.73	14.75	15.77	16.79	17.81
G 64	2.68	3.78	4.88	5.97	7.07	8.17	9.27	10.37	11.47	12.57	13.67	14.76	15.86	16.96	18.06	19.16
68	2.87	4.04	5.22	6.40	7.57	8.75	9.92	11.10	12.28	13.45	14.63	15.80	16.98	18.16	19.33	20.51
H 72	3.06	4.31	5.56	6.82	8.07	9.32	10.58	11.83	13.08	14.34	15.59	16.84	18.10	19.35	20.60	21.86
76	3.24	4.57	5.91	7.24	8.57	9.90	11.23	12.56	13.89	15.22	16.55	17.88	19.21	20.54	21.87	23.20
T 80	3.43	4.84	6.25	7.66	9.07	10.48	11.88	13.29	14.70	16.11	17.52	18.93	20.34	21.74	23.15	24.56
84	3.57	5.04	6.51	7.97	9.44	10.91	12.37	13.84	15.31	16.77	18.24	19.71	21.17	22.64	24.11	25.57
88	3.76	5.31	6.85	8.39	9.94	11.48	13.03	14.57	16.11	17.66	19.20	20.74	22.29	23.83	25.38	26.92
92	3.95	5.57	7.19	8.81	10.44	12.06	13.68	15.30	16.92	18.54	20.16	21.78	23.40	25.03	26.65	28.27
96	4.14	5.84	7.54	9.23	10.93	12.63	14.33	16.03	17.73	19.42	21.12	22.82	24.52	26.22	27.92	29.61
100	4.33	6.10	7.88	9.66	11.43	13.21	14.98	16.76	18.53	20.31	22.09	23.86	25.64	27.41	29.19	30.96
104	4.52	6.37	8.22	10.08	11.93	13.78	15.64	17.49	19.34	21.20	23.05	24.90	26.76	28.61	30.46	32.32
108	4.71	6.64	8.57	10.50	12.43	14.36	16.29	18.22	20.15	22.08	24.01	25.94	27.87	29.80	31.73	33.66
112	5.08	7.17	9.25	11.34	13.42	15.51	17.59	19.68	21.76	23.85	25.93	28.02	30.10	32.19	34.27	36.35
116	5.04	7.10	9.17	11.23	13.30	15.37	17.43	19.50	21.56	23.63	25.70	27.76	29.83	31.89	33.96	36.03
120	5.17	7.29	9.41	11.53	13.65	15.77	17.89	20.01	22.13	24.25	26.37	28.49	30.61	32.73	34.85	36.97

2430 - 2435 Drainable Water Penetration
15 Minute Duration, Test Size (48x48)



Pressure Drop - Intake



Beginning point of water penetraion at 0.01 oz/sp.ft. is 896 FPM

Test Results Do Not Include the Effects of Birdscreen

Certified Ratings

Ventex certifies that the Models 2430/2435 shown here are licensed to bear the AMCA seal. The ratings shown are based on tests and procedures performed in accordance with AMCA Standard 511 and comply with the requirements of the AMCA Certified Ratings Program. The Certified Ratings Seal applies to air performance and water penetration ratings.



Recommended Specification

Furnish and install stationary louver models 2430/2435 as manufactured by Ventex, Bolton Ontario. Louvers must be licensed to bear the AMCA seal. Louvers shall be 4" (100 mm) deep. Blades shall be 0.081" (2.06 mm) and frame shall be 0.081" (2.06 mm) extruded aluminium alloy 6063-T5. Louvers shall have a 19 gauge galvanized birdscreen. All materials shall be factory finished with Polyester Baking Enamel in a color selected from the Ventex Color Chart. The louver manufacturer shall submit test data on a 48" x48" unit showing that the louver conforms to the data on this page.